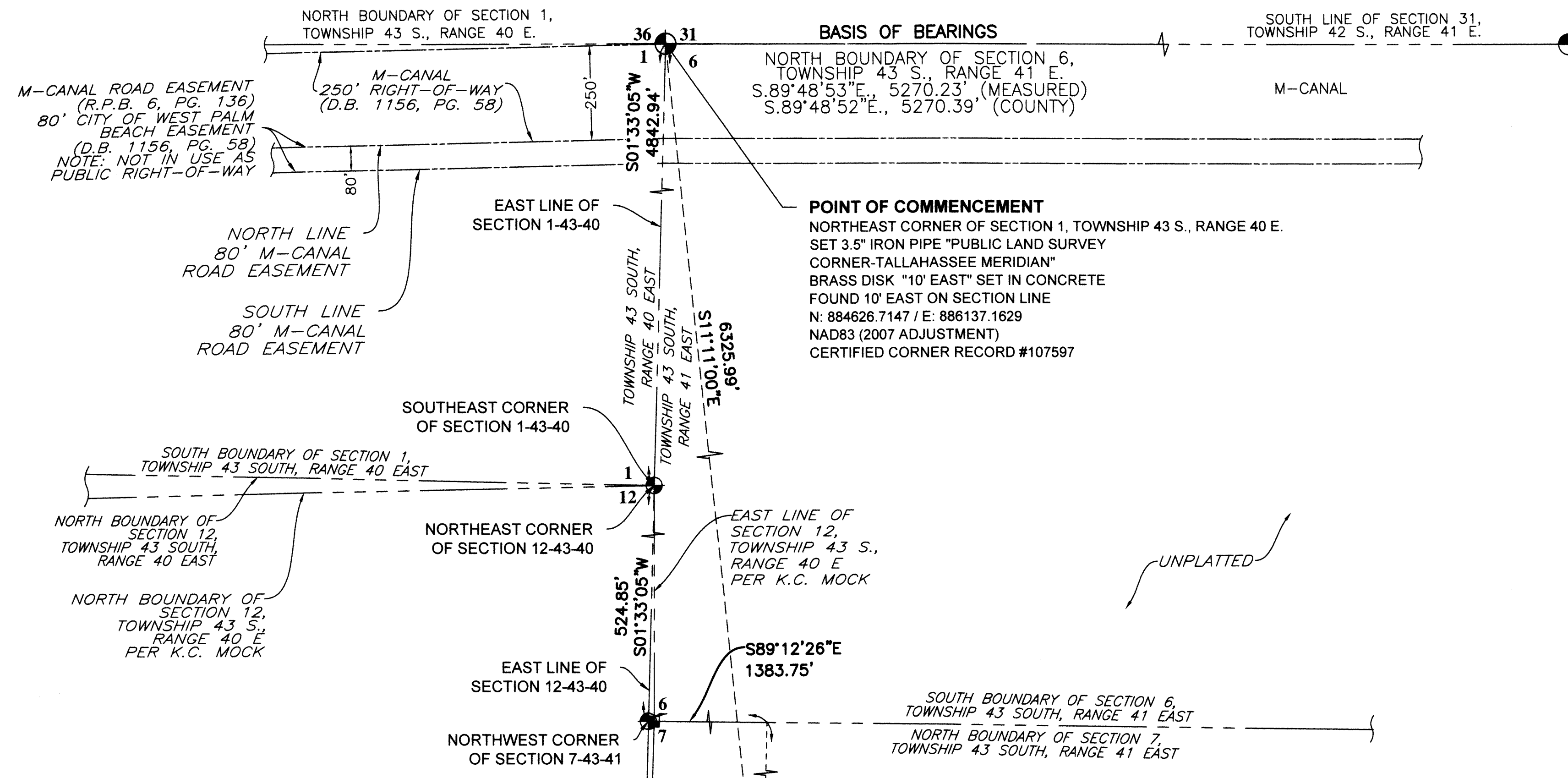


# PERSIMMON BOULEVARD EAST - PLAT 3

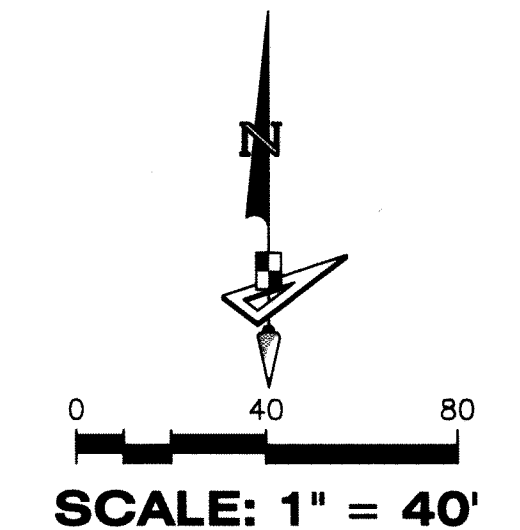
BEING IN PART A REPLAT OF OPEN SPACE TRACT #3, PERSIMMON BOULEVARD EAST-PLAT 2,  
 PLAT BOOK 128, PAGES 16 THROUGH 19, INCLUSIVE, PUBLIC RECORDS OF PALM BEACH, FLORIDA,  
 AND BEING A PORTION OF SECTION 7, TOWNSHIP 43 SOUTH, RANGE 41 EAST, CITY OF WESTLAKE,  
 PALM BEACH COUNTY, FLORIDA,

79

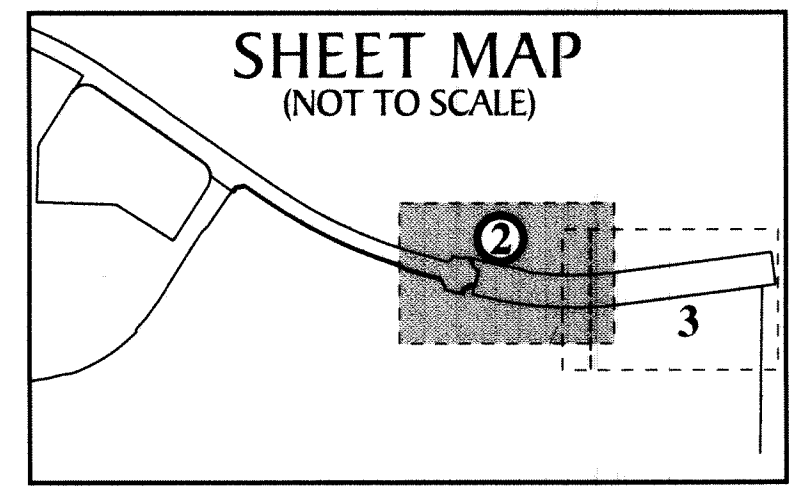


NORTHEAST CORNER SECTION 6-43-41  
 FOUND BRASS DISK IN CONCRETE "P.B.C."  
 N:884609.6818 E:891407.3638  
 NAD83 (2007 ADJUSTMENT)  
 CERTIFIED CORNER RECORD #107591

COORDINATES SHOWN HEREON ARE FLORIDA STATE PLANE GRID  
 DATUM = NAD83 2007 ADJUSTMENT  
 ZONE = FLORIDA EAST  
 LINEAR UNITS = US SURVEY FEET  
 COORDINATE SYSTEM = 1983 STATE PLANE  
 PROJECTION = TRANSVERSE MERCATOR  
 ALL DISTANCES ARE GROUND  
 SCALE FACTOR = 1.0000  
 GROUND DISTANCE X SCALE FACTOR = GRID DISTANCE  
 PLAT BEARING = GRID BEARING  
 NO ROTATION  
 ALL TIES TO SECTION CORNERS AND QUARTER CORNERS ARE GENERATED FROM MEASURED VALUES

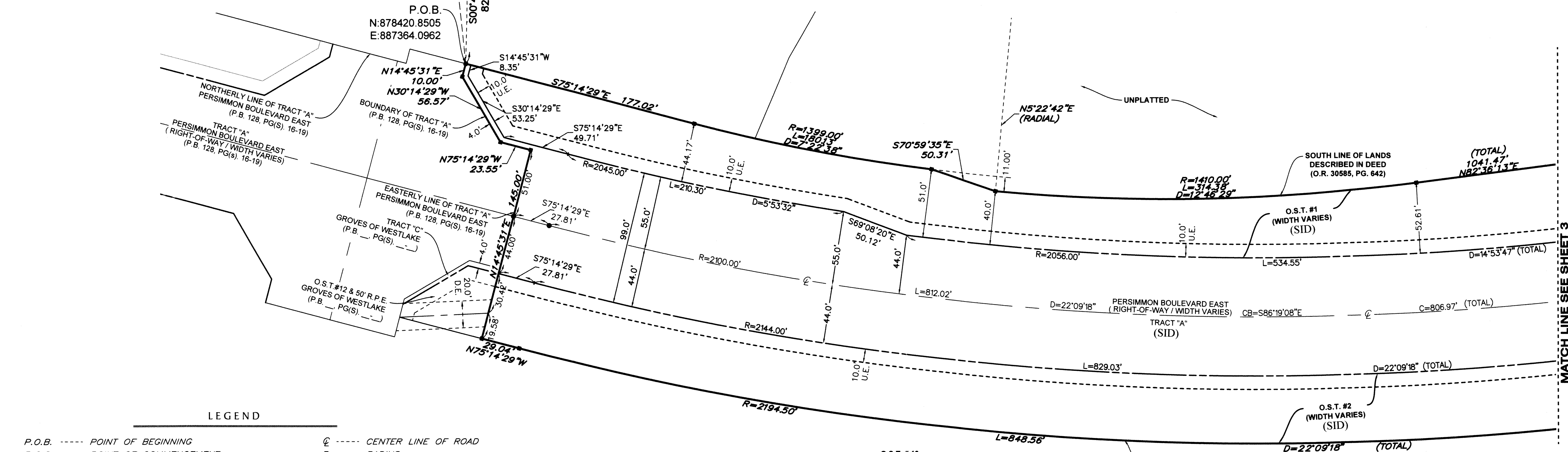


NOTICE: THIS PLAT, AS RECORDED IN ITS GRAPHIC FORM, IS THE OFFICIAL DEPICTION OF THE SUBDIVIDED LANDS DESCRIBED HEREIN AND WILL IN NO CIRCUMSTANCES BE SUPPLANTED IN AUTHORITY BY ANY OTHER GRAPHIC OR DIGITAL FORM OF THE PLAT. THERE MAY BE ADDITIONAL RESTRICTIONS THAT ARE NOT RECORDED ON THIS PLAT THAT MAY BE FOUND IN THE PUBLIC RECORDS OF THIS COUNTY.



### BASIS OF BEARINGS

BEARINGS SHOWN HEREON ARE BASED ON THE NORTH BOUNDARY OF SECTION 6, TOWNSHIP 43 SOUTH, RANGE 41 EAST, HAVING A GRID BEARING OF S.89°48'53"E. (MEASURED). BEARINGS SHOWN HEREON, REFER TO THE STATE PLANE COORDINATE SYSTEM, NORTH AMERICA DATUM OF 1983 (NAD 83 - '07) FOR THE EAST ZONE OF FLORIDA. SAID BASIS OF BEARING IS THE SAME IN THE NORTH AMERICAN DATUM OF 1983 (NAD 83 - '90).



LEGEND	
P.O.B. -----	POINT OF BEGINNING
P.O.C. -----	POINT OF COMMENCEMENT
P.B. -----	PLAT BOOK
D.B. -----	DEED BOOK
PG./PG(s) -----	PAGE(S)
NAD -----	NORTH AMERICAN DATUM
O.S.T. -----	OPEN SPACE TRACT
P.B.C. -----	PALM BEACH COUNTY
U.E. -----	UTILITY EASEMENT
D.E. -----	DRAINAGE EASEMENT
R.P.E. -----	RURAL PARKWAY EASEMENT
7-43-41 -----	SECTION-TOWNSHIP-RANGE
⊙ -----	CENTER LINE OF ROAD
R -----	RADIUS
L -----	ARC LENGTH
D -----	DELTA ANGLE
CB -----	CHORD BEARING
C -----	CHORD
R/W -----	RIGHT-OF-WAY
PRM -----	PERMANENT REFERENCE MONUMENT
⊙ -----	PERMANENT CONTROL POINT
□ -----	FOUND PERMANENT REFERENCE MONUMENT
■ -----	SET 4"x4" CONCRETE MONUMENT WITH 2" ALUMINUM DISK STAMPED "PRM LB 7768"

**GeoPoint**  
 Surveying, Inc.

4152 W. Blue Heron Blvd.  
 Suite 105  
 Riviera Beach, FL 33404

Phone: (561) 444-2720  
 www.geopointsurvey.com  
 Licensed Business Number LB 7768

Sheet No. 2 of 3 Sheets